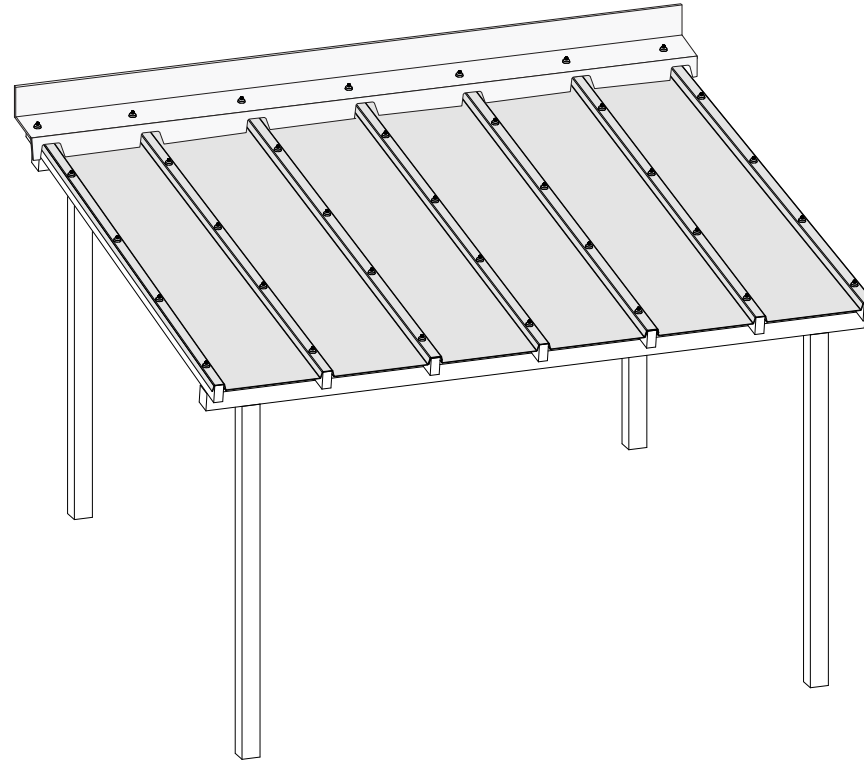




EZ Glaze™ | Installation Guide



Easy to install



Rafter installation



Glass appearance



Clear & elegant



UV resistance



Premium solution



EZ Glaze™ - Product page



Installation video

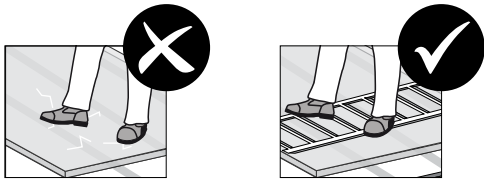
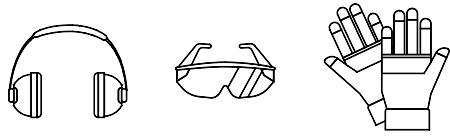


PALRAM website



Before installation

Recommended safety equipment

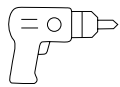


Do not step directly on the sheets between the rafters!

When installing EZ Glaze or doing maintenance work, always use ladders or crawl boards, supported by minimum three roof structural elements.

Required tools

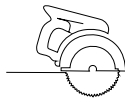
Drill



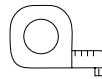
Ladder



Circular saw



Measuring tape

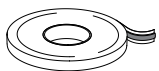


Optional accessories

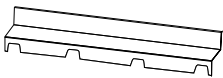
Purlin Tape



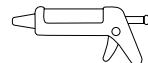
Butyl Sealing Tape



Head Wall Flashing



Neutral Cure Silicone Sealant (Approved)



Recommended screws with 26mm EPDM washer



Product information

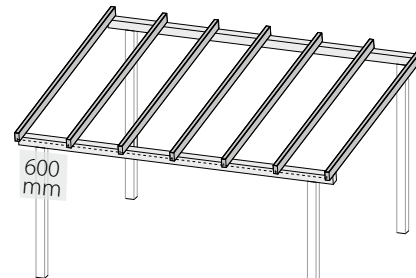
Thickness	3 mm
Cover Width	600 mm
Total Width	673 mm
Maximum Length	7,000 mm
Minimum required pitch	3 degrees

Profile	Rafter width	*Low profile height	Profile height
EZ Glaze 50	40-50mm		
EZ Glaze 60	50-60mm		

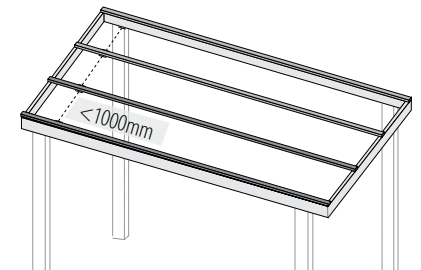
*stocked profile in Australia, other profiles available to order subject to MOQ.

Installation direction recommendation

Rafters installation

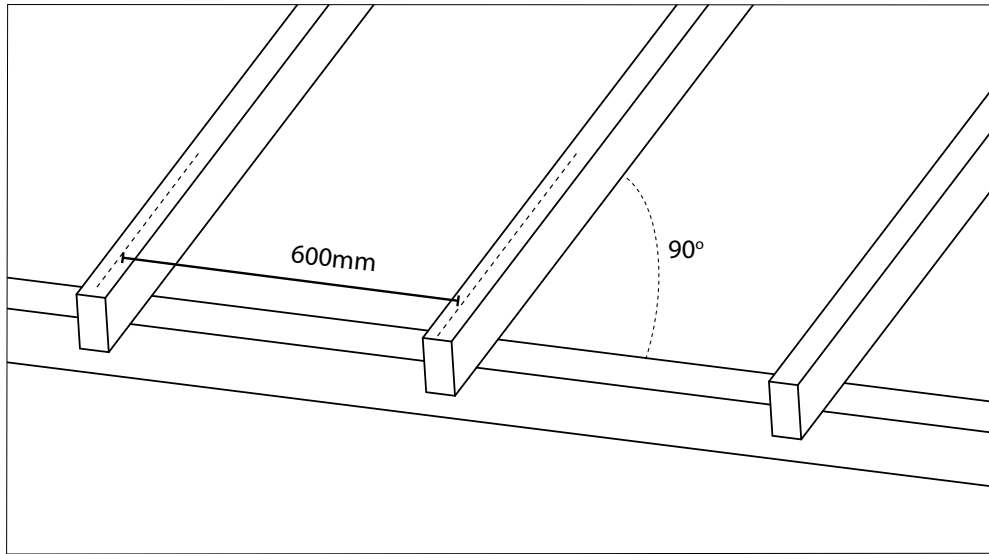


Purlins installation

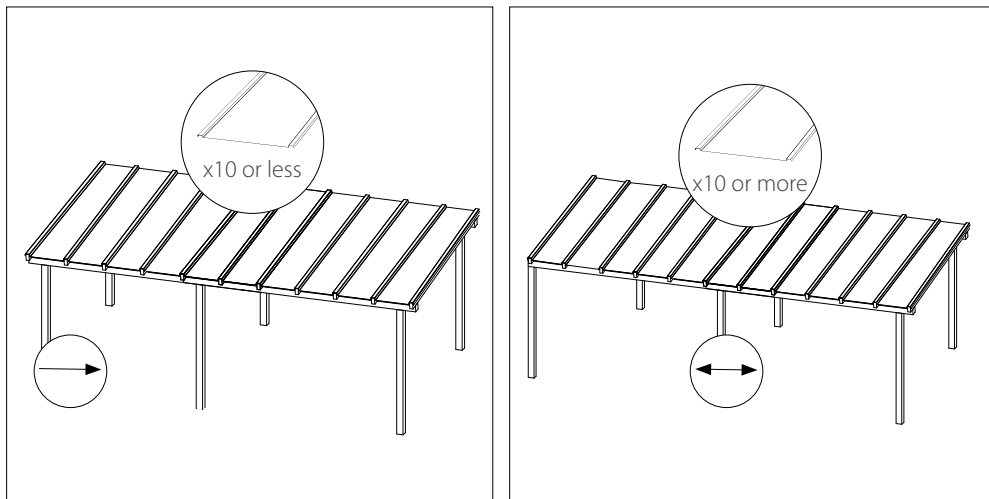


Before installation

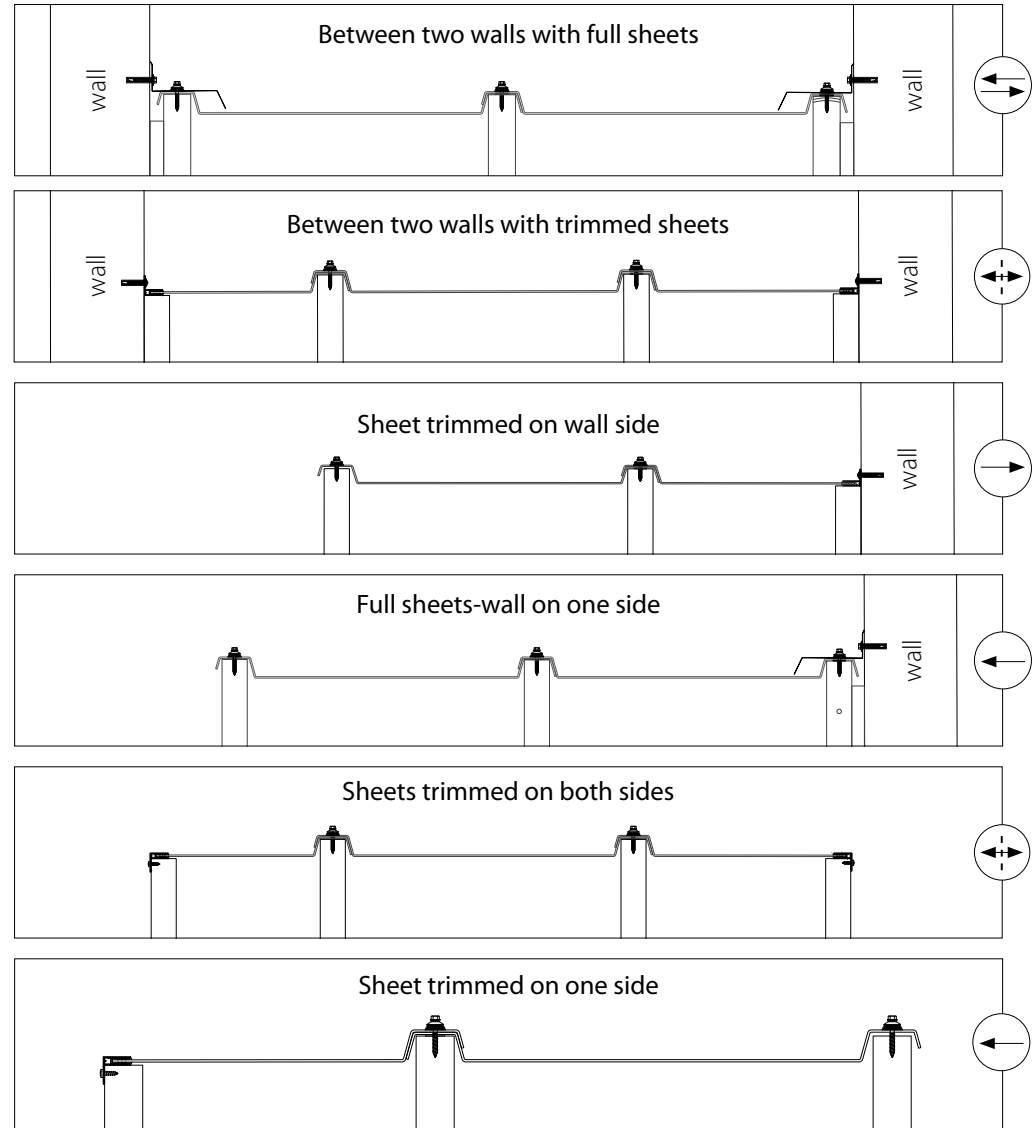
Rafter spacing



Installation direction recommendation

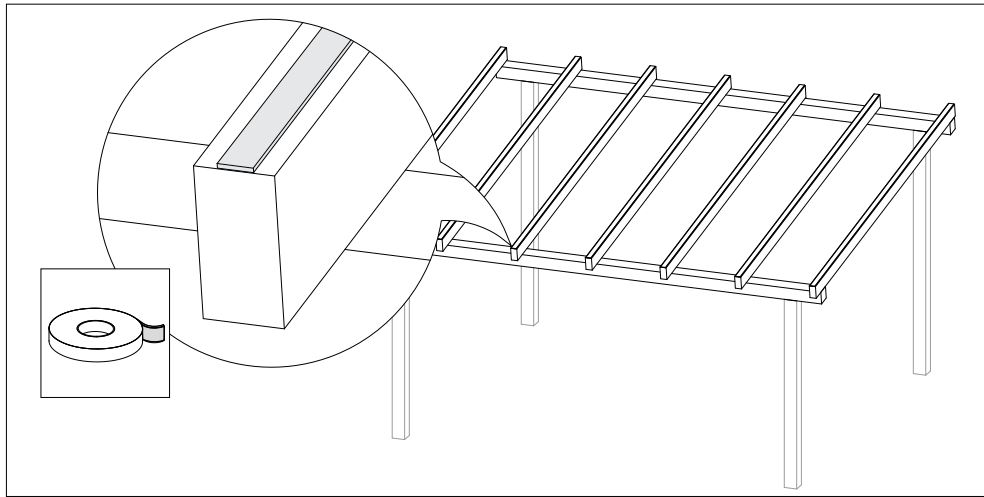


Installation variation and directions



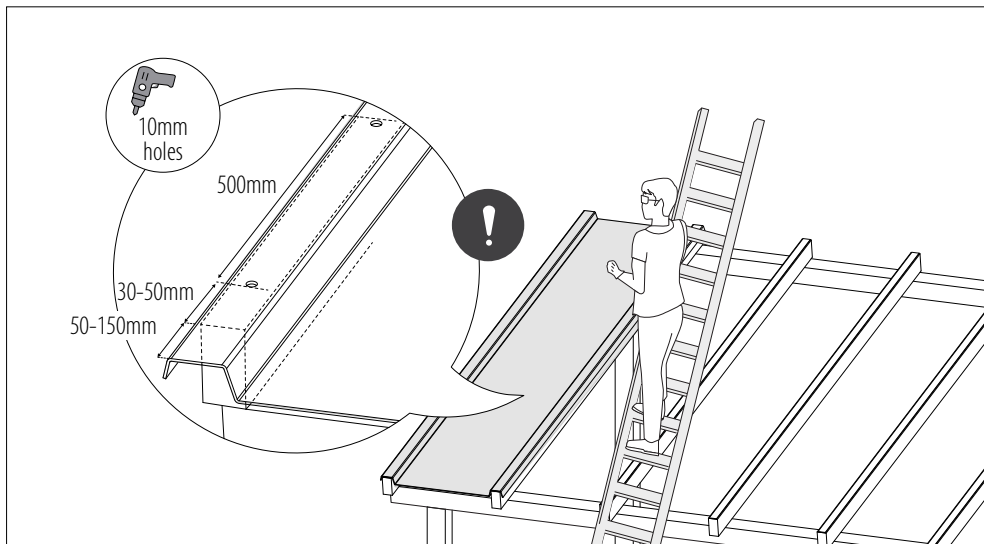
Installation

1 Purlin tape application

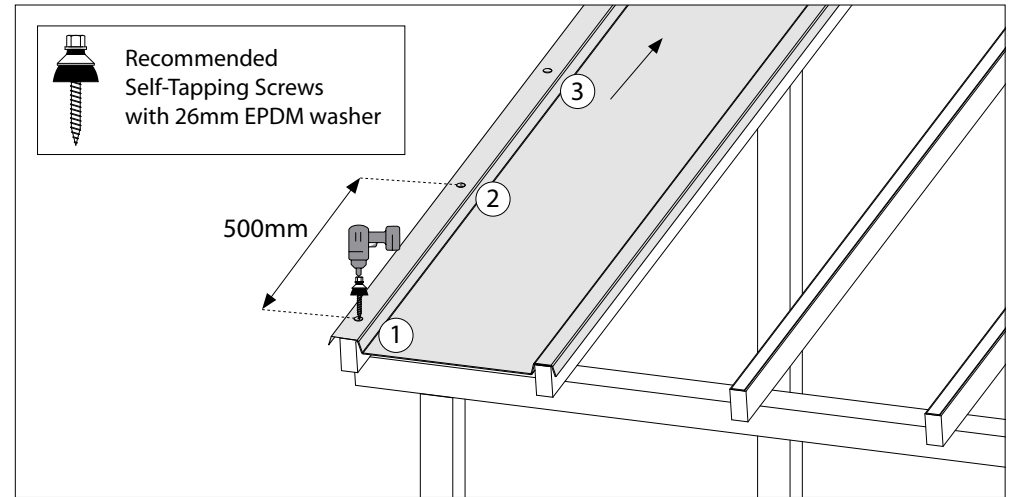


Applying Purlin tape on each rafter will reduce friction and noise.

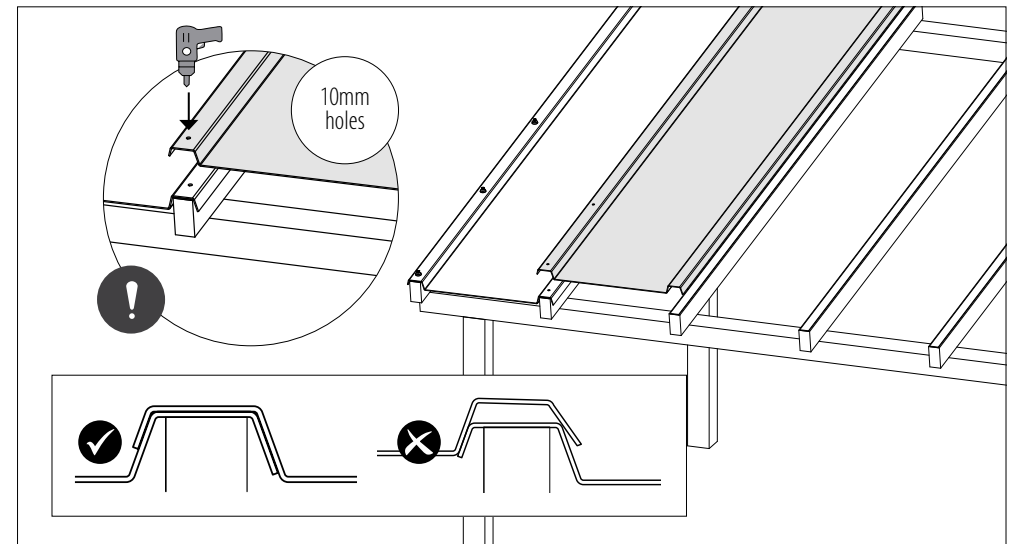
2 Setting the first EZ Glaze panel



3 Fixing the first EZ Glaze panel

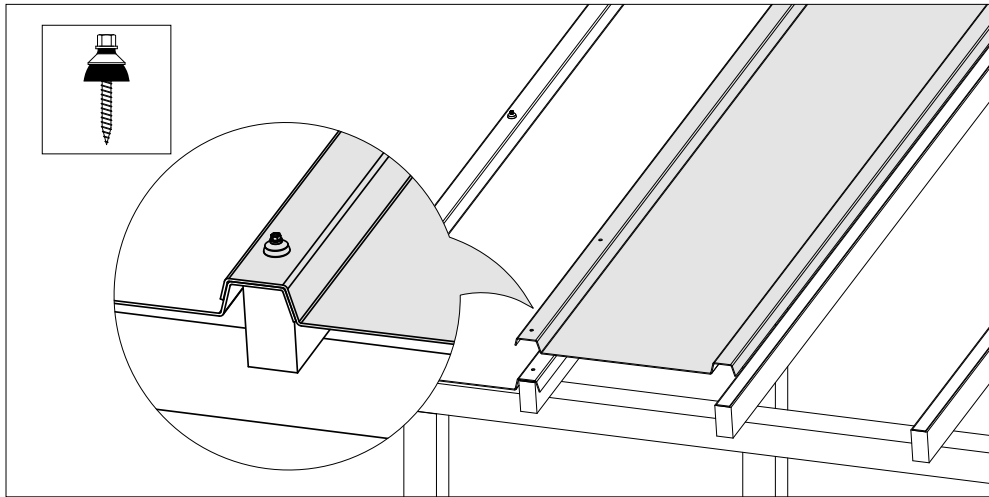


4 Setting the second EZ Glaze panel

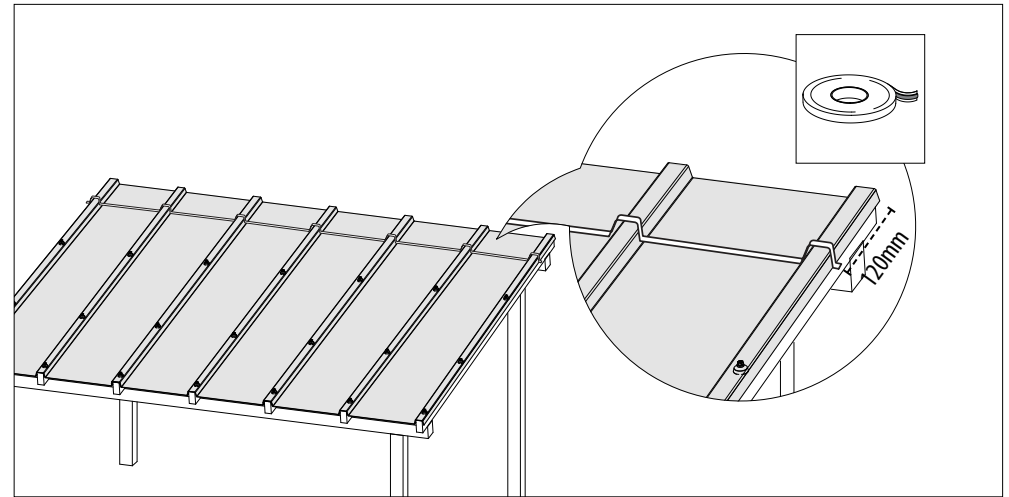


Installation

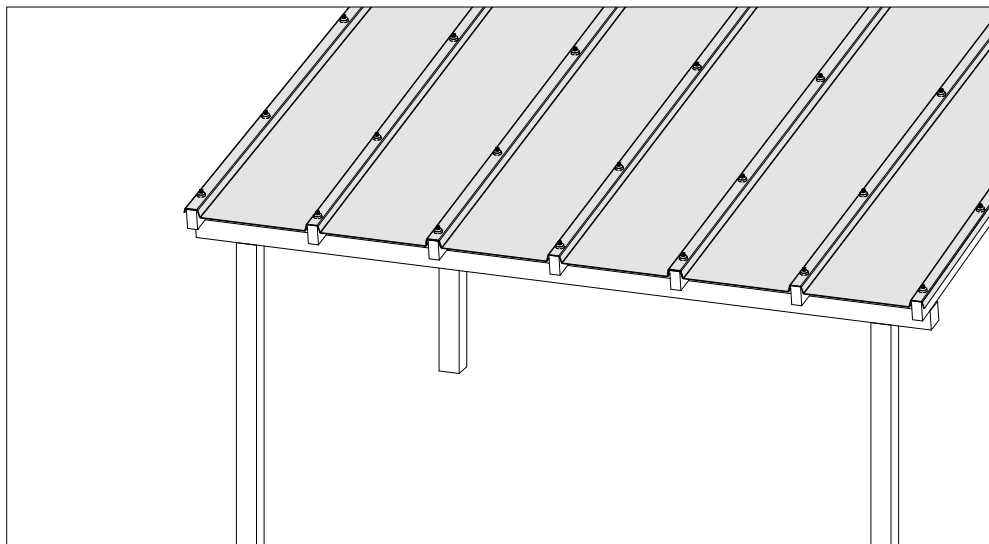
5 Fixing the second EZ Glaze panel



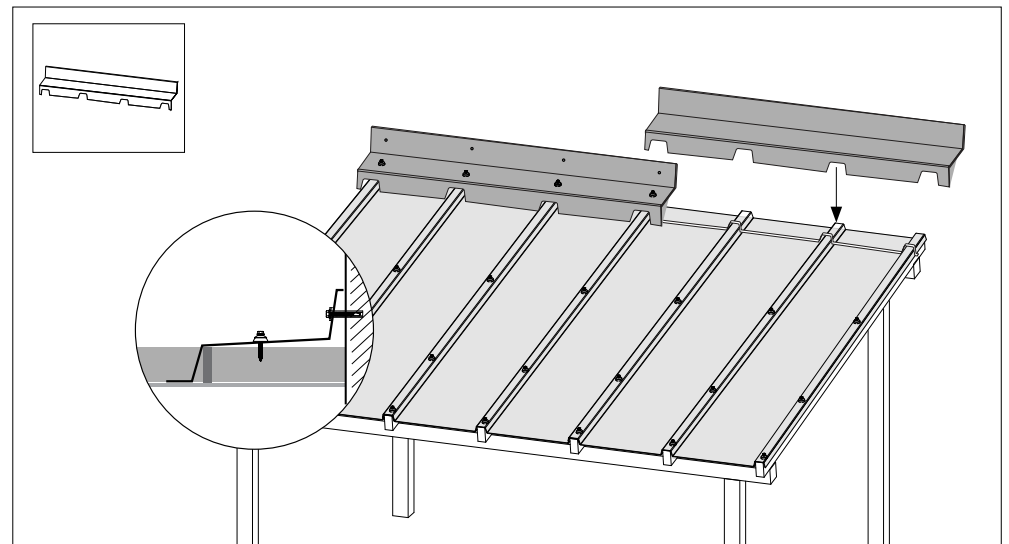
7 Applying butyl tape



6 Repeat stages 4-5 until the pergola is fully covered

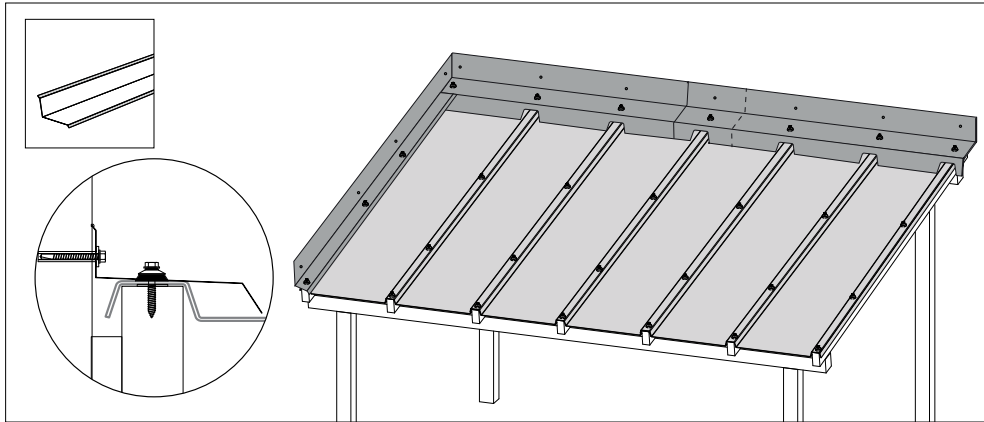


8 Installing Head Wall Flashing (purchased separately)

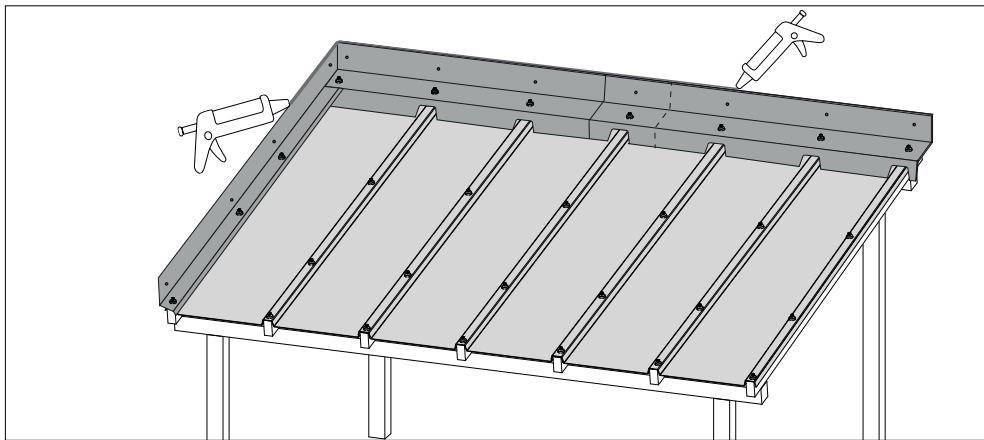


Installation - Finishing accessories

9 Installing Side Wall Flashing (purchased separately)



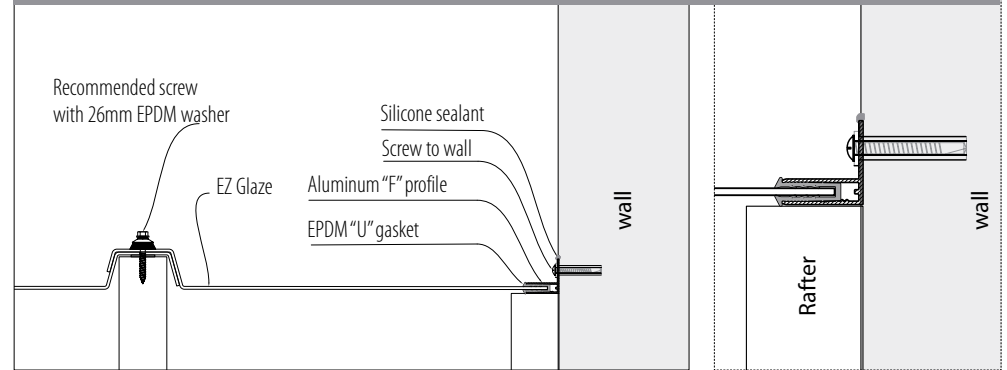
10 Applying Silicone (purchased separately)



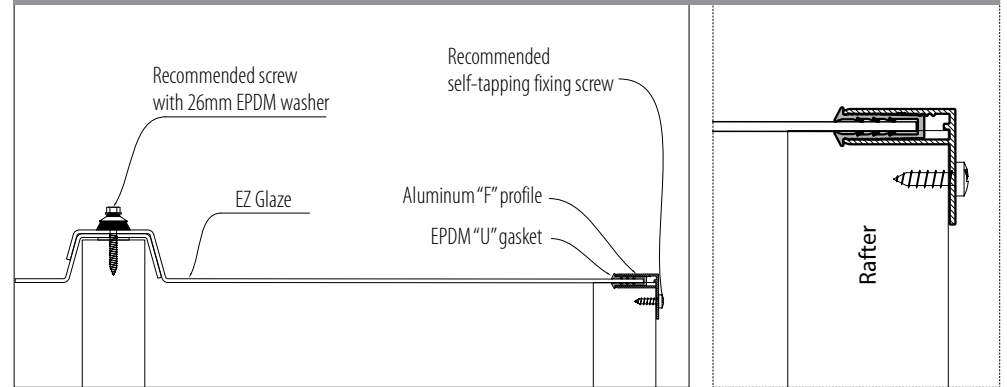
Installation - Finishing

! Side Wall finish when the panel is trimmed

Installation to side wall



Installation with no side wall



PALRAM SA/NT
517A Cross keys Road
Cavan SA 5094
Tel: (08) 8262 2288
Fax: (08) 8262 3388
salesa@palram.com

PALRAM NSW/ACT
Unit 2, 26 Redfern St,
Wetherill Park, NSW 2764
Tel: (02) 8788 6100
Fax: (02) 8788 6199
salesnsw@palram.com

PALRAM QLD
Unit 9C / 380 Bilsen Road
Geebung QLD 4034
Tel: (07) 3172 5581
Fax: (07) 3172 5516
salesqld@palram.com

PALRAM VIC/TAS
34 Buys Court
Derrimut VIC 3030
Tel: (03) 9219 4444
Fax: (03) 9219 4455
salesvic@palram.com

PALRAM WA
74 Christable Way
Landsdale WA 6065
Tel: (08) 9302 4173
Fax: (08) 9302 5287
saleswa@palram.com

