



AMPELite

**NOW
500mm
Wide**



EasyClick PCTM
DO IT YOURSELF POLYCARBONATE PANELS
— 500 —

**NEW
and
Improved
Clicking
System**

- Easy DIY installation
- No specialist tools required
- Light weight
- Impact resistant



PROTECTION



WATER



DON'T STEP



WARRANTY



PROUDLY AUSTRALIAN OWNED



EasyClick PC 500 is an ideal option for glazing and roofing in Pergolas, Greenhouses, Carports, Pool Enclosures, Office Partitions and more. EasyClick PC 500 is the perfect product for the home handyman. Assembly of EasyClick PC 500 is so simple that only standard tools are required to install. Cut panels to desired length, blow out swarf, screw in place, lock in next panel and repeat, finish with aluminium EasyClick PC 500 End Cap and Side Caps. The panels are manufactured from UV stabilised impact resistant durable polycarbonate. You can enjoy the great outdoors whilst being protected from the harmful effects of the sun.

- **Easy Handling**
- **Light Weight**
- **Quick Assembly**
- **Outstanding Light Transmission with UV protection**
- **Thermally Efficient Multiwall construction**
- **X-structure for extra rigidity**
- **Highly Impact Resistant**
- **Waterproof**

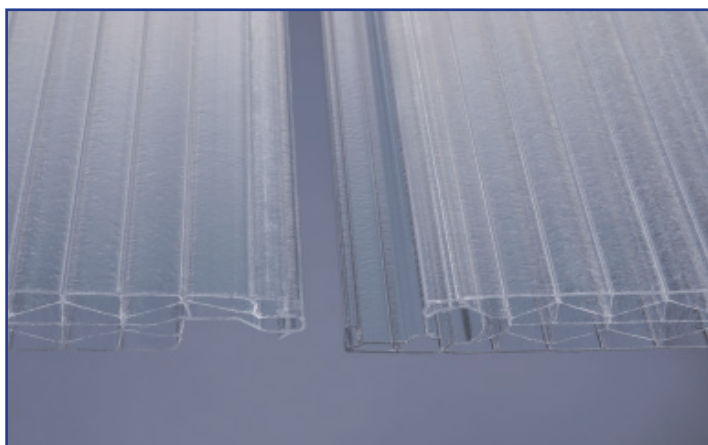
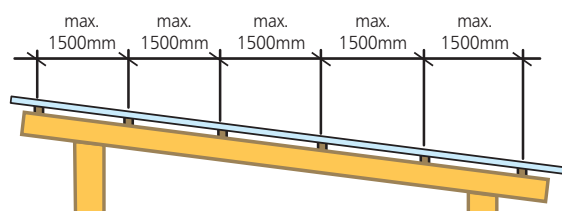


EasyClick PC 500 SPECIFICATIONS

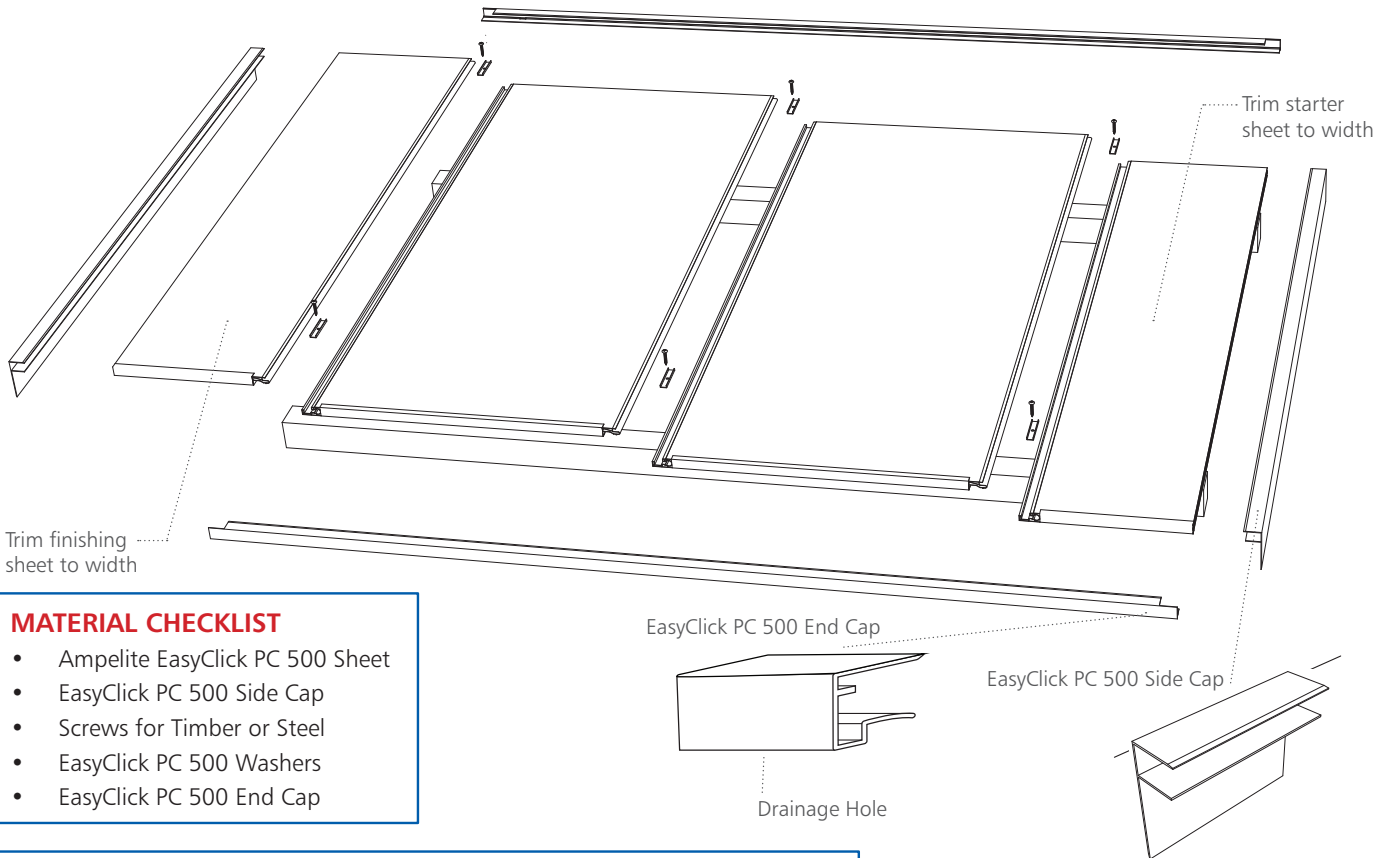
Thickness	16mm
Width	500mm
Lengths	2.0, 2.5, 3.0, 3.5, 4.0, 4.5, 5.0, 5.5, 6.0, 7.0m
Colours	Clear, Opal, Grey, Metallic Grey
UV Protection	One Side
Thermal Insulation	U = 2.0 W/m2K
End Cap Lengths	3.0m and 6.0m
Side Cap Lengths	4.0m and 7.0m
Screws	Wafer 25mm C3 T17 Timber Wafer 22mm C3 Tek Steel

EasyClick PC 500 LOADING DATA

Distance: Max. 1500mm between battens
Fall: Min. 5°



EasyClick PC 500 Installation Guide



MATERIAL CHECKLIST

- Ampelite EasyClick PC 500 Sheet
- EasyClick PC 500 Side Cap
- Screws for Timber or Steel
- EasyClick PC 500 Washers
- EasyClick PC 500 End Cap

EasyClick PC 500 SPANNING DATA

Installation with concealed fixings

Recommended fastener assembly:

Timber: 10#-12x25 Type 17

Steel: 10#-16x22 Tek Screw

Use either screw c/w 50x10 Fixing Washer.

Purlin Centres	Load (kPa)
900	1.2
1200	1.0
1500	0.8

Installation in high wind areas

When installing EasyClick PC 500 sheeting into high wind locations we recommend in addition to the concealed screw & washer, an external screw fixing complete with bonded washer. This will ensure no disengagement of the EasyClick PC 500 system.

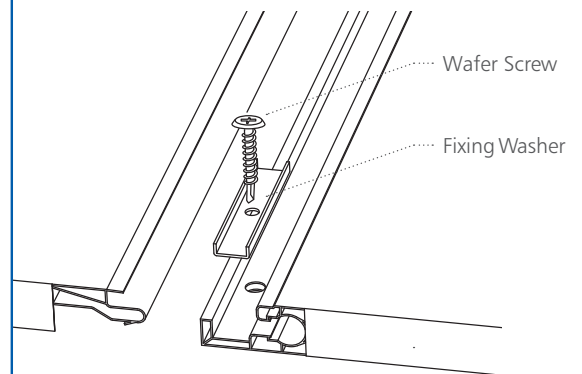
Purlin Centres	Load (kPa)
900	3.5
1200	3.0
1500	2.5

Recommended fastener assembly:

Timber: 12#-10x50 Type 17 Screw c/w 26mm Aluminium Bonded Washer.

Steel: 12#-14x35 Tek Screw c/w 26mm Aluminium Bonded Washer.

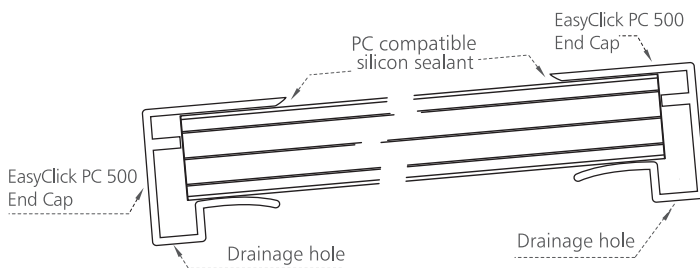
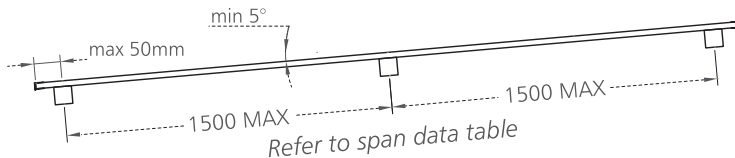
Important Note: External fasteners should be located adjacent to the EasyClick PC 500 join on the top fitting sheet. Do not externally screw through the lap or join of the EasyClick PC 500 sheets.




EasyClick PCTM
 DO IT YOURSELF POLYCARBONATE PANELS
 500



EasyClick PC 500 Installation Guide



RECOMMENDATIONS

Minimum roof pitch 5°
Maximum sheet length 7.0m

PROPERTIES

Thickness	16mm
Cover Width	500mm
U-value	2.0 W/m ² K
UV protection	Single Sided

LIGHT TRANSMISSION

COLOUR	LIGHT	SHGC
Clear	77%	0.58
Grey	10%	0.46
Opal	67%	0.38
Metallic Grey	5%	0.20

Solar Heat Gain Coefficient (SHGC) indicates how much solar heat is transmitted through the EasyClick PC 500 sheet. Lower numbers mean less solar heat entering the room or area below the EasyClick PC 500.

EasyClick PC 500 is characterised by high optical clarity, light transmission, impact resistance and durability. It is available in a range of standard sizes and colours. EasyClick PC 500 has a coextruded UV protection layer on the weather (external) face.

WARRANTY

There is a 10 year limited warranty against loss of light transmission, yellowing and weather impact. Refer to Ampelite for full warranty details.

QUALITY

Manufactured under ISO 9001:2015

HANDLING & SAFETY

Do not step directly on the EasyClick PC 500. Use walk boards to protect the product. Work according to local safety regulations.

STORAGE

Store in a shaded place, protect from direct sunlight and rain prior to installation. Avoid covering the sheets with heat absorbing materials. Avoid contact with chemicals. Protect the sheets from physical damage.

INSTALLATION

Do not overtighten fixings.
Remove protective film on installation.

SERVICE TEMPERATURE

For stable prolonged service ranging from -20°C to 100°C. (Short term un-stressed -40°C to 130°C)

MAINTENANCE

In order to maintain this product in good condition it should be cleaned periodically using detergent and water. Do not use solvent cleaners. Do not scrub with brushes or sharp implements. Avoid cleaning in hot sun or high temperatures.

Ampelite is proudly Australian owned and manufactured. Profits remain in Australia and taxes paid benefit our community.



Ampelite Australia Pty Ltd
ABN 91 487 122 629

Plumbing Merchants Association
Supplier Of The Year for
2006, 2007, 2008, 2009,
2011, 2014, 2016 & 2019.



VIC & TAS: Tel 03 8710 9110 Fax 03 9794 0710

NSW & ACT: Tel 02 9625 7200 Fax 02 9625 7211

QLD: Tel 07 3382 8300 Fax 07 3200 8703

NTH QLD: Tel 07 4774 5007 Fax 07 4774 7898

SA & NT: Tel 08 8260 7391 Fax 08 8260 7397

WA: Tel 08 9302 6833 Fax 08 9302 6855

NZ: Tel 09 634 5366 Fax 09 622 2060

www.ampelite.com.au

