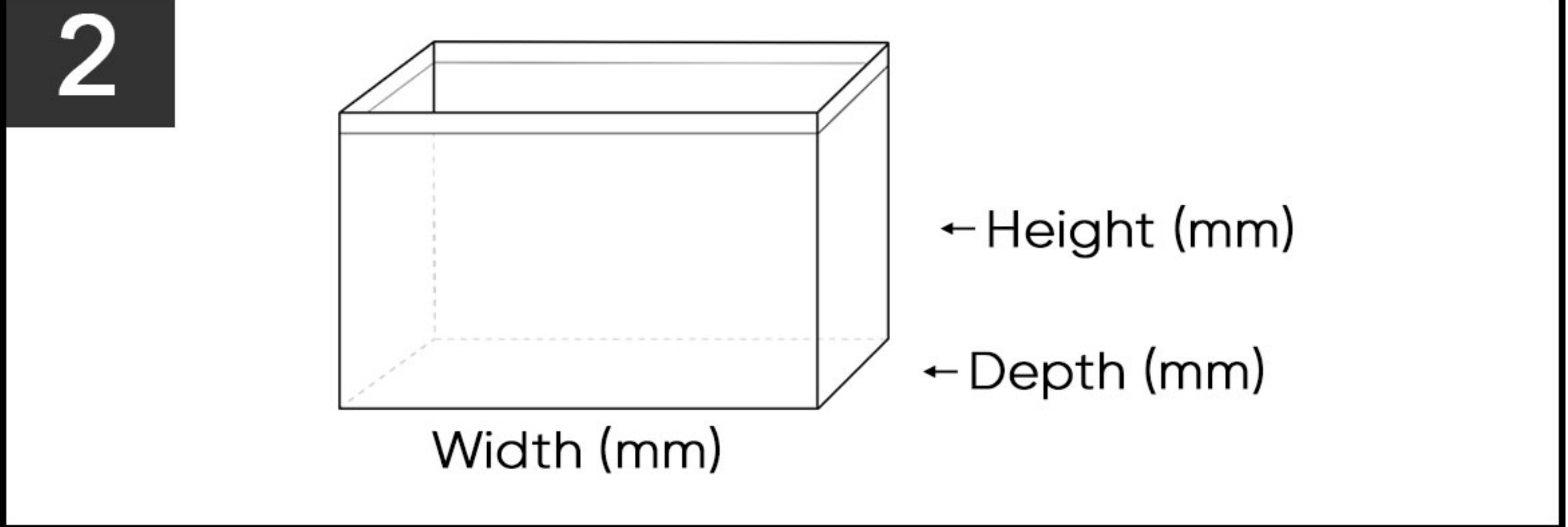
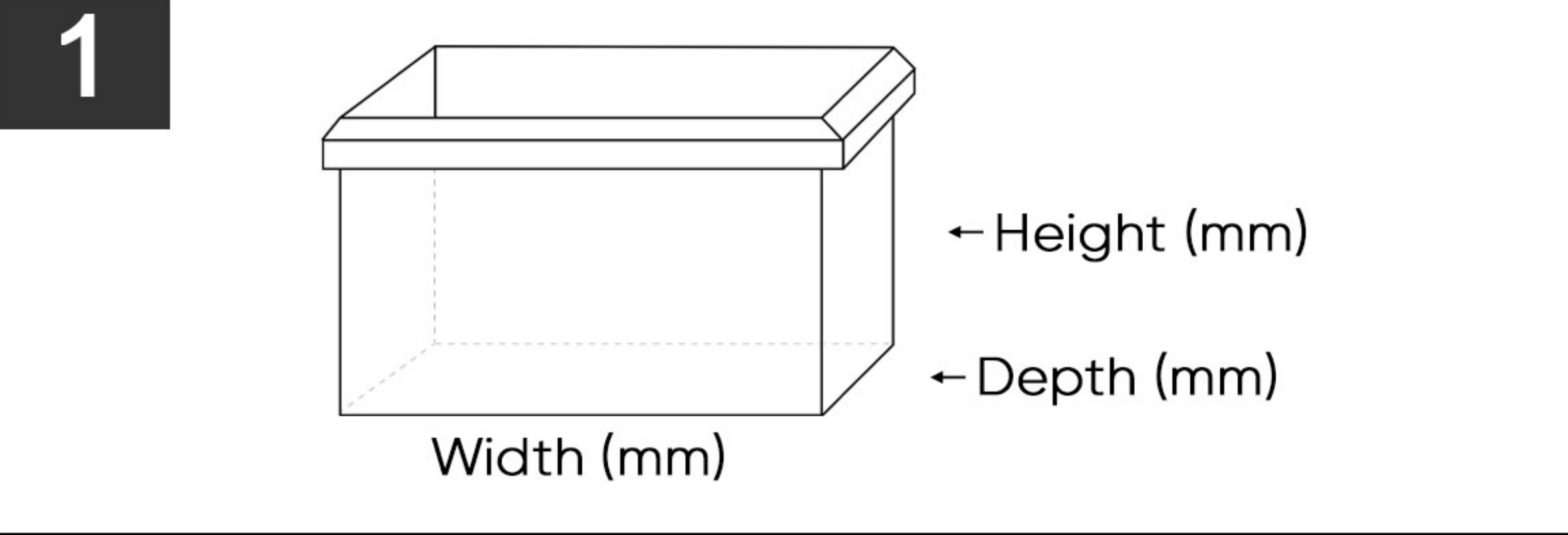


Date: \_\_\_\_\_ Date Required: \_\_\_\_\_  
 Customer Name: \_\_\_\_\_  
 Phone Number: \_\_\_\_\_  
 Email: \_\_\_\_\_  
 Job Ref: \_\_\_\_\_  
 Comments: \_\_\_\_\_

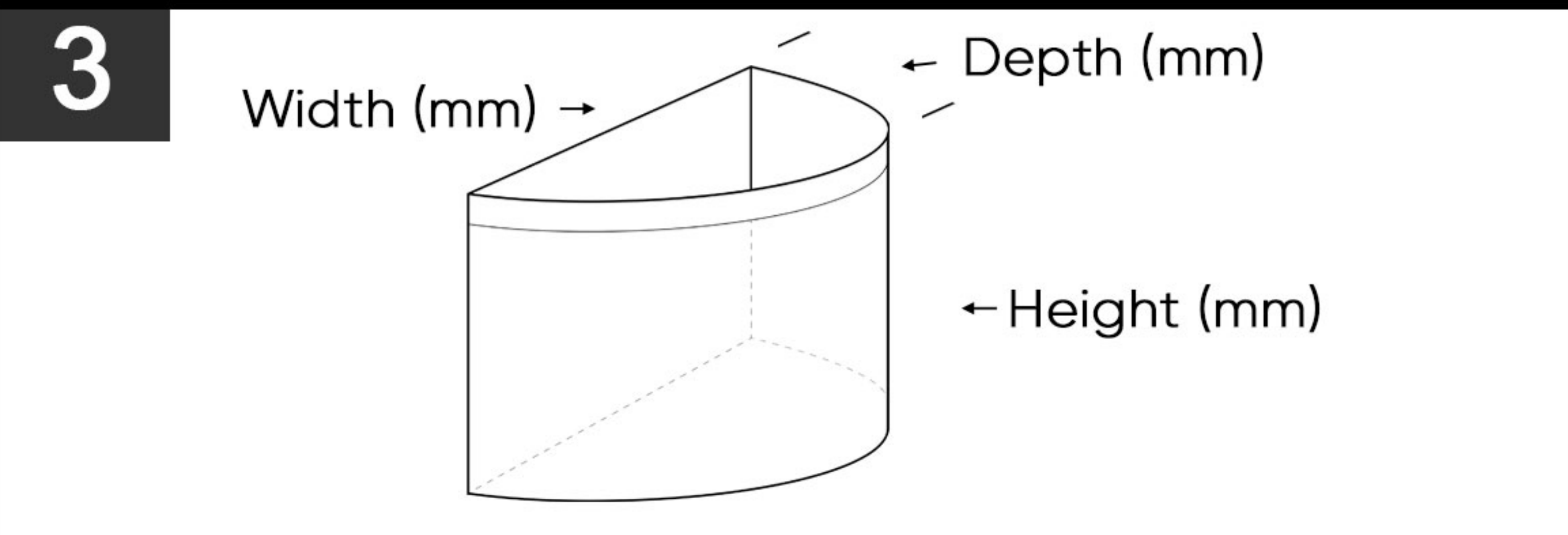
PICK UP LOCATION:  
 Coburg  C/Field  Hallam  
 DELIVERY REQUIRED  
 Delivery Address: \_\_\_\_\_  
 \_\_\_\_\_  
 \_\_\_\_\_

ORDER #:  
(Office Use Only)



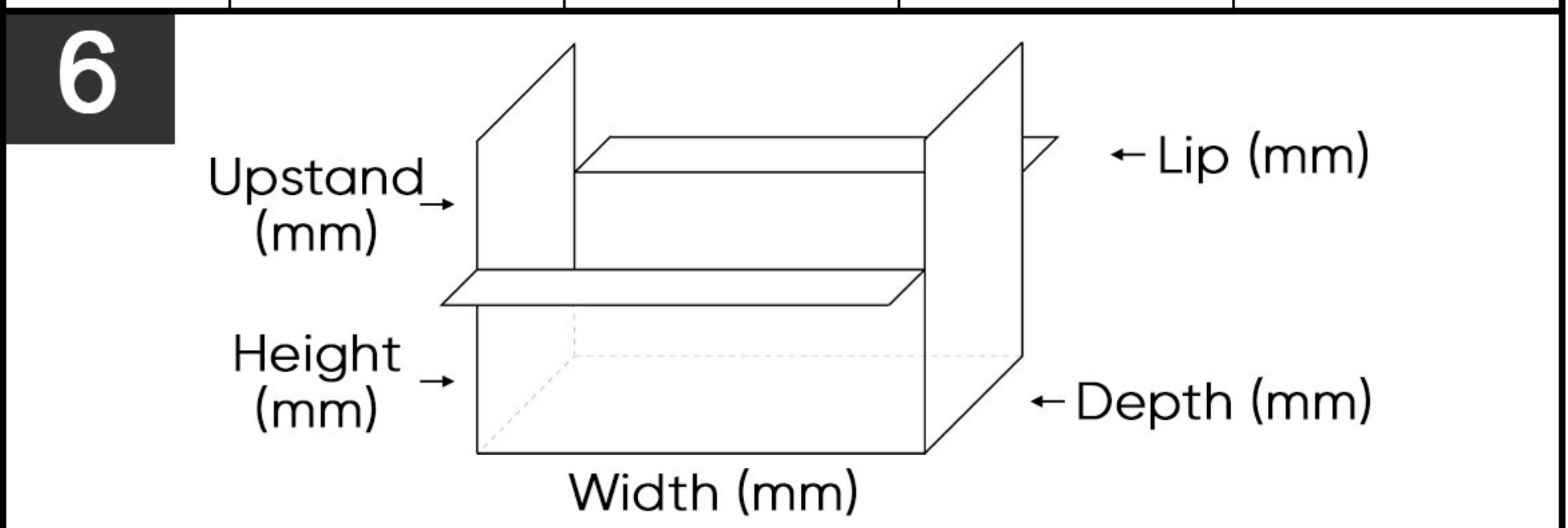
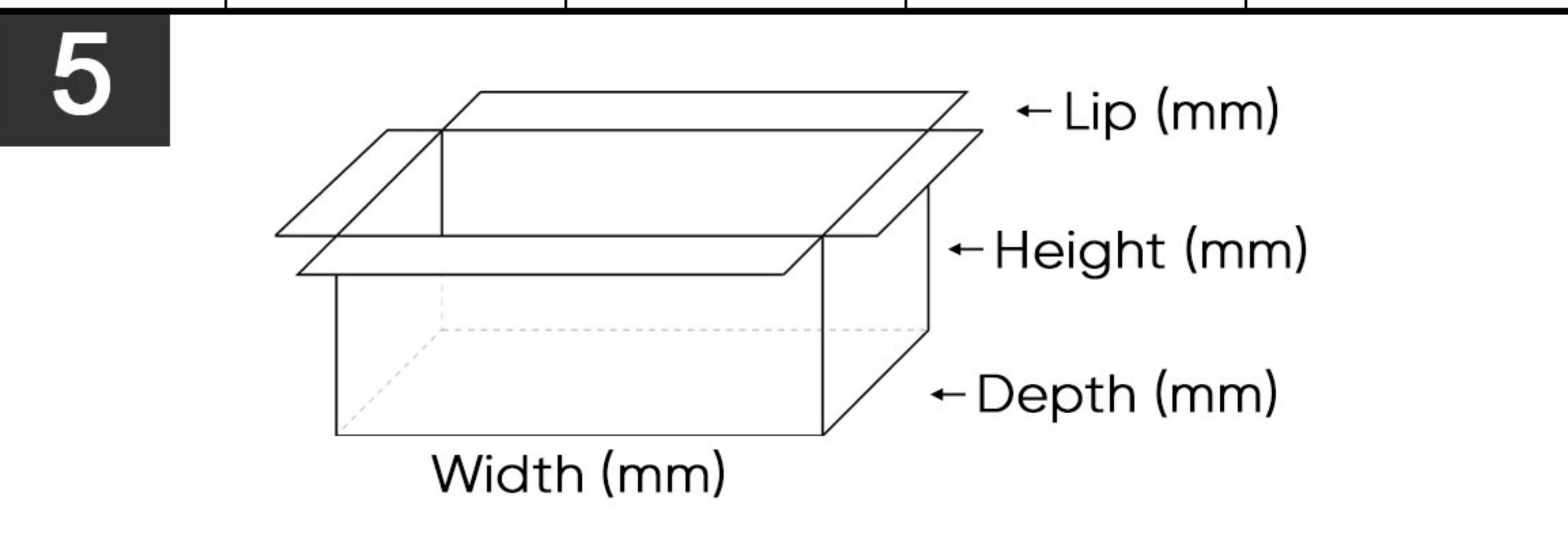
QTY	WIDTH	DEPTH	HEIGHT	COLOUR

QTY	WIDTH	DEPTH	HEIGHT	COLOUR



QTY	WIDTH	DEPTH	HEIGHT	COLOUR

QTY	WIDTH	DEPTH	HEIGHT	COLOUR



QTY	WIDTH	DEPTH	HEIGHT	LIP	COLOUR

QTY	WIDTH	DEPTH	HEIGHT	UP/ST	LIP	COLOUR

**ROC - COBURG**

A: 212 Sussex St, Coburg, VIC 3058  
 E: sales.coburg@roofingoptions.com.au  
 P: 03 9354 2633

**ROC - CAMPBELLFIELD**

A: 4/1730 Hume Hwy, C/field, VIC 3061  
 E: sales.cfield@roofingoptions.com.au  
 P: 03 8339 1150

**ROC - HALLAM**

A: 31 Rimfire Dr, Hallam, VIC 3803  
 E: sales.hallam@roofingoptions.com.au  
 P: 03 9702 3301